

Features

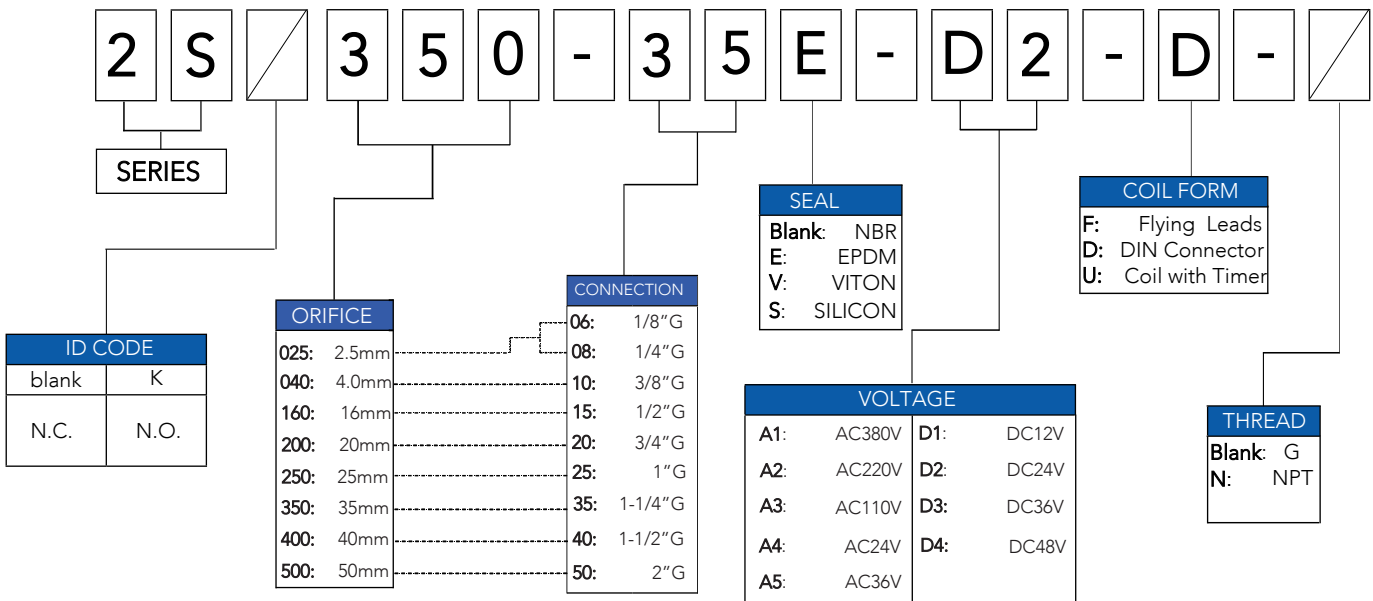
- Zero pressure start, quick reaction time, flow capacity higher than pilot operated type
- Reliable, proven design with high flows
- Direct acting design, it has strong resistance to impurities in the medium
- Industrial applications include:
 - Car Wash
 - Air Compressors
 - Pumps
 - Laundry Equipment
 - Industrial Water Control
 - Water Treatment



Electrical

Standard Coil	Watt Rating and Power Consumption				Spare Coil Part Number			
	DC	AC			General Purpose		Explosionproof	
		Watt	Watt	VA Holdin	VA Inrus	AC	DC	AC
F	13	22	22	40	AB310-AC	AB310-DC	1680-AC	1680-DC
F	16	18	22	65	AB410-AC	AB410-DC	1661-AC	1661-DC
F	13	22	35	180	-	-	1381-AC	1381-DC

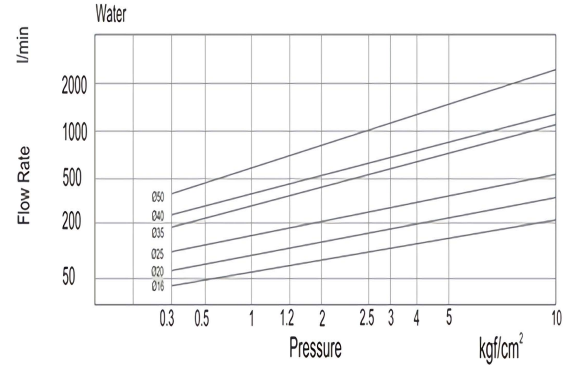
Ordering Code



Order Example:
2S series direct acting 2/2 ways N. C. solenoid valve, 1-1/2" port size, EPDM seals, DC24V, DIN connector, NPT thread.
SENYA part# 2S400-40E-D2-D-N

Flow Rate

Model	Port Size	Orifice
2S160-15-A2-D	1/2"	16mm
2S200-20-A2-D	3/4"	20mm
2S250-25-A2-D	1"	25mm
2S350-35-A2-D	1-1/4"	35mm
2S400-40-A2-D	1-1/2"	40mm
2S500-50-A2-D	2"	50mm



Specifications (Metric units)

Pipe Size (in)	Orifice Size (mm)	CV Flow Factor	Operating Pressure Differential (Bar)							Max. Fluid Temp. °C		Brass	Stainless Steel 304	Watt Rating/ Class of Coil Insulation			
			Min.	Max. AC			Max. DC			AC	DC			Catalog Number	Catalog Number	AC	DC
				Air-Inert Gas	Water	Light Oil less 50 CST	Air-Inert Gas	Water	Light Oil less 50 CST								
NORMALLY CLOSED (Closed when de-energized)																	
1/8	2.5	0.23	0	7	7	7	5	5	5	80	80	2W025-06-A2-D	2S025-06-A2-D	6.1/F	11.6/F		
1/8	2.5	0.23	0	7	7	-	5	5	-	120	120	2W025-06E-A2-D	2S025-06E-A2-D	10.1/F	11.6/F		
1/8	2.5	0.23	0	7	7	7	5	5	5	120	120	2W025-06V-A2-D	2S025-06V-A2-D	6.1/F	11.6/F		
1/4	2.5	0.23	0	7	7	7	5	5	5	80	80	2W025-08-A2-D	2S025-08-A2-D	17.1/F	-		
1/4	2.5	0.23	0	7	7	-	5	5	-	120	120	2W025-08E-A2-D	2S025-08E-A2-D	6.1/F	11.6/F		
1/4	2.5	0.23	0	7	7	7	5	5	5	120	120	2W025-08V-A2-D	2S025-08V-A2-D	10.1/F	11.6/F		
3/8	4	0.6	0	8	8	5	5	5	5	80	80	2W040-10-A2-D	2S040-10-A2-D	17.1/F	11.6/F		
3/8	4	0.6	0	8	8	5	5	5	5	120	120	2W040-10E-A2-D	2S040-10E-A2-D	6.1/F	11.6/F		
3/8	4	0.6	0	8	8	5	5	5	5	120	120	2W040-10V-A2-D	2S040-10V-A2-D	17.1/F	-		
1/2	16	4.8	0	10	10	7	6	6	4	80	80	2W160-15-A2-D	2S160-15-A2-D	17.1/F	40.6H		
1/2	16	4.8	0	10	10	7	6	6	4	120	120	2W160-15E-A2-D	2S160-15E-A2-D	17.1/F	11.6/F		
1/2	16	4.8	0	10	10	7	6	6	4	120	120	2W160-15V-A2-D	2S160-15V-A2-D	6.1/F	11.6/F		
3/4	20	7.6	0	10	10	7	6	6	4	80	80	2W200-20-A2-D	2S200-20-A2-D	10.1/F	11.6/F		
3/4	20	7.6	0	10	10	7	6	6	4	120	120	2W200-20E-A2-D	2S200-20E-A2-D	6.1/F	11.6/F		
3/4	20	7.6	0	10	10	7	6	6	4	120	120	2W200-20V-A2-D	2S200-20V-A2-D	16.1/F	30.8/F		
1	25	12	0	10	10	7	6	6	4	80	80	2W250-25-A2-D	2S250-25-A2-D	16.1/F	30.8/F		
1	25	12	0	10	10	7	6	6	4	120	120	2W250-25E-A2-D	2S250-25E-A2-D	6.1/F	11.6/F		
1	25	12	0	10	10	7	6	6	4	120	120	2W250-25V-A2-D	2S250-25V-A2-D	20.1/F	-		
1-1/4	35	24	0	10	10	7	6	6	4	80	80	2W350-35-A2-D	2S350-35-A2-D	10.1/F	11.6/F		
1-1/4	35	24	0	10	10	7	6	6	4	120	120	2W350-35E-A2-D	2S350-35E-A2-D	6.1/F	11.6/F		
1-1/4	35	24	0	10	10	7	6	6	4	120	120	2W350-35V-A2-D	2S350-35V-A2-D	16.1/F	30.8/F		
1-1/2	40	29	0	10	10	7	6	6	4	80	80	2W400-40-A2-D	2S400-40-A2-D	16.1/F	30.8/F		
1-1/2	40	29	0	10	10	7	6	6	4	120	120	2W400-40E-A2-D	2S400-40E-A2-D	6.1/F	11.6/F		
1-1/2	40	29	0	10	10	7	6	6	4	120	120	2W400-40V-A2-D	2S400-40V-A2-D	20.1/F	-		
2	50	48	0	10	10	7	6	6	4	80	80	2W500-50-A2-D	2S500-50-A2-D	17.1/F	-		
2	50	48	0	10	10	7	6	6	4	120	120	2W500-50E-A2-D	2S500-50E-A2-D	16.1/F	30.8/F		
2	50	48	0	10	10	7	6	6	4	120	120	2W500-50V-A2-D	2S500-50V-A2-D	6.1/F	11.6/F		

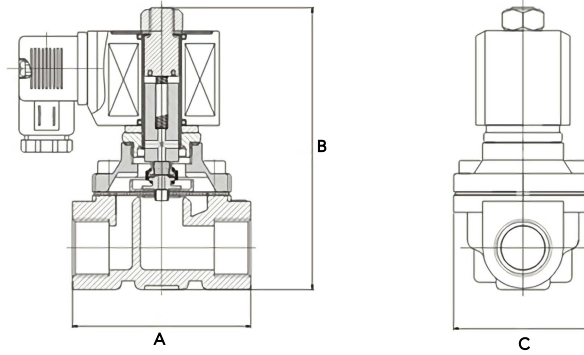
*Note:

Standard Voltages must be specified when ordering. Other voltages please consult SENYA staff for more details

Dimensions Sheet (mm)

Port	A	B	C
1/8	40.5	83.5	26.8
1/4	40.5	83.5	26.8
3/8	69	106	57
1/2	69	106	57
3/4	73	114	57
1	73	114	57
1-1/4	112	150	86.5
1-1/2	123	160	94
2	165	183	123

Valve Dimensions (mm)



IMPORTANT: Valves may be mounted in any position, except as noted in specifications table.